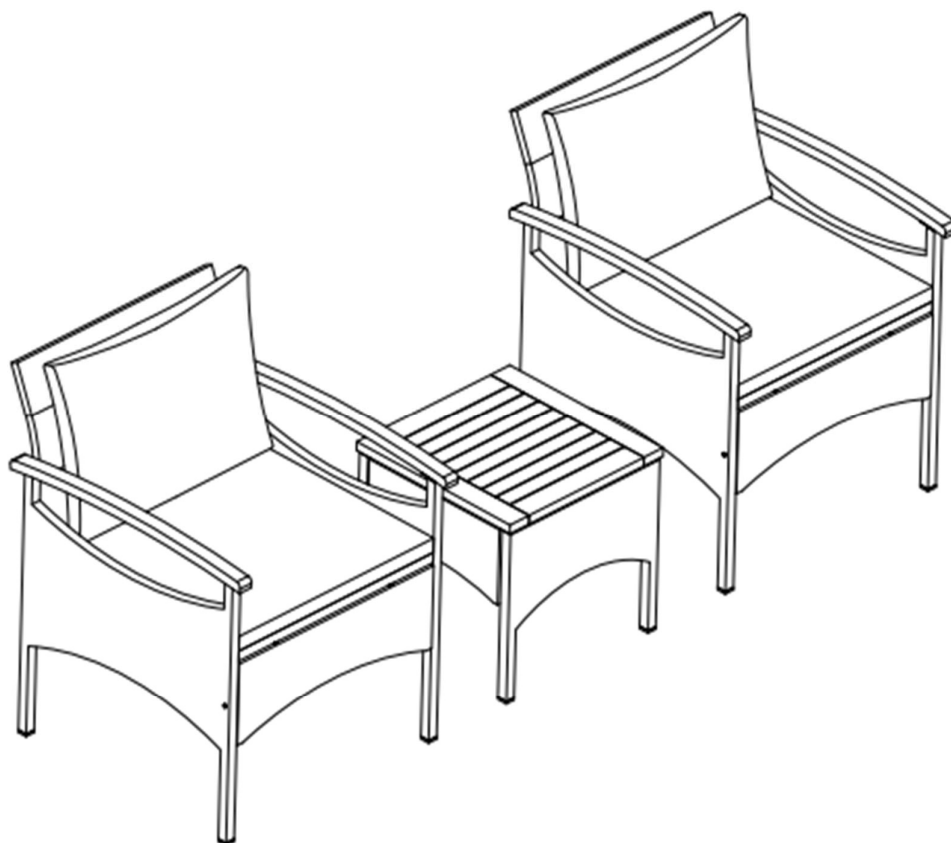


954162

 **bonprix.**

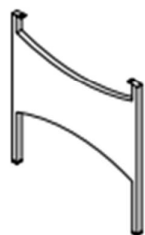
Max load capacity for table: 75 kg
Max load capacity per seat: 160 kg



0
10
20
30
40
50
60
70
80
90
100
110
120
130
140
150
160
170
180
190
200



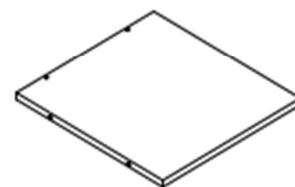
A x 2



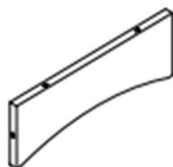
B x 2



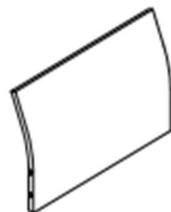
C x 4



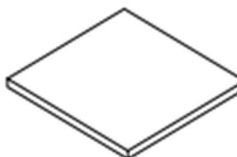
J x 2



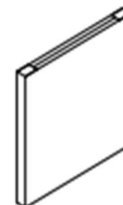
K x 2



L x 2



M x 2

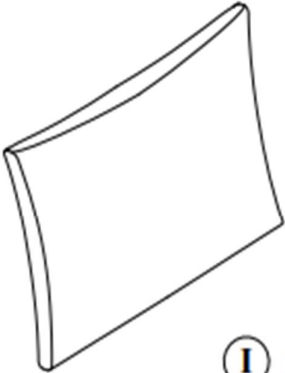
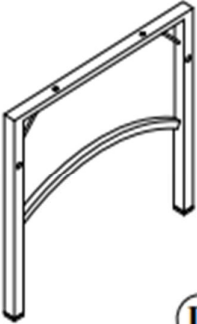
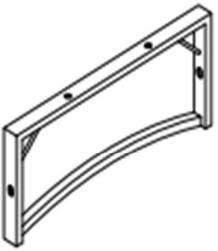
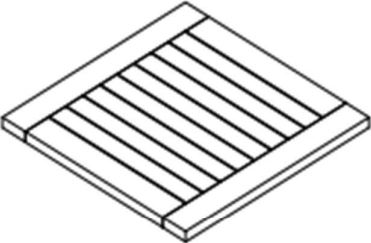





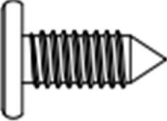


N x 2

954162



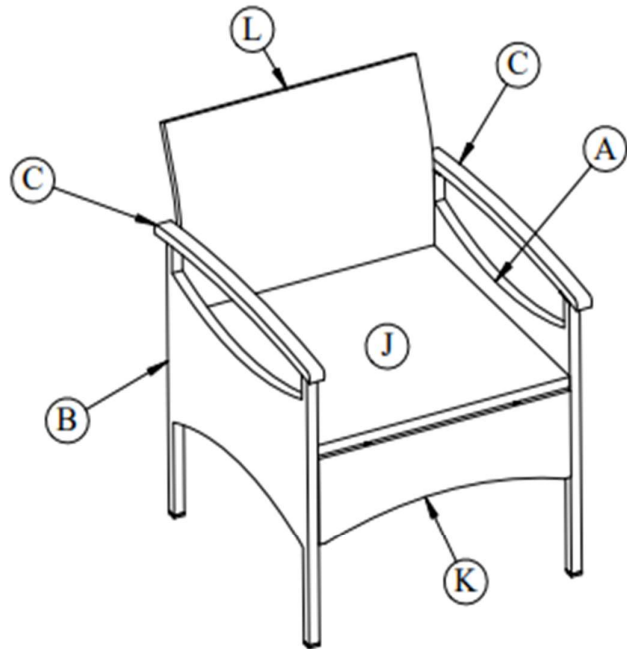
0
10
20
30
40
50
60
70
80
90
100
110
120
130
140
150
160
170
180
190
200

 <p>Ⓘ x 2</p>	 <p>Ⓓ x 2</p>	 <p>Ⓔ x 2</p>
 <p>Ⓕ x 1</p>	 <p>① x 8</p> <p>M6 $\frac{15}{0.59}$</p>	 <p>② x 28</p> <p>M6 $\frac{35}{1.38}$</p>
 <p>③ x 32</p> <p>M6 $\frac{16 \times 1}{0.6 \times 0.04}$</p>	 <p>④ x 2</p> <p>M4</p>	 <p>⑦ x 4</p> <p>M6 $\frac{30}{1.18}$</p>
 <p>⑧ x 8</p> <p>M6 $\frac{20}{0.79}$</p>		

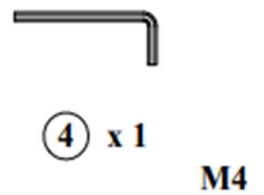
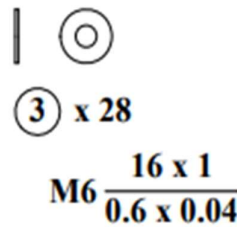
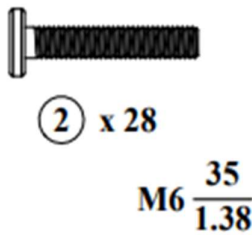
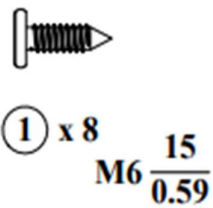
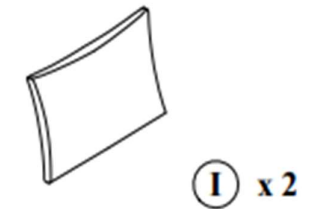
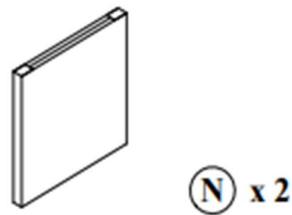
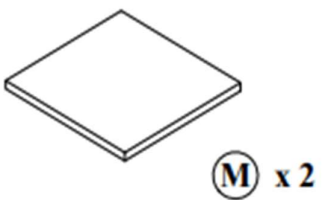
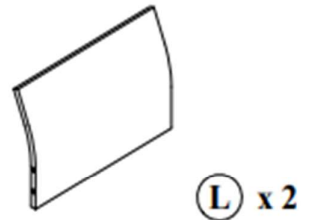
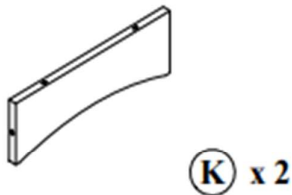
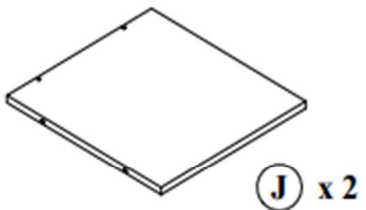
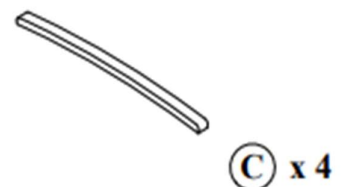
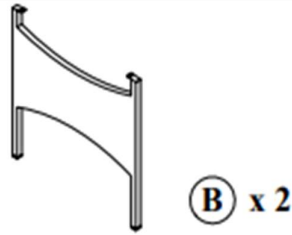
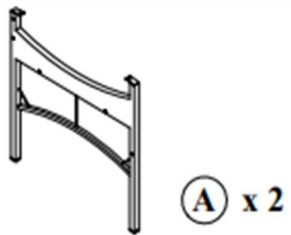
954162



0
10
20
30
40
50
60
70
80
90
100
110
120
130
140
150
160
170
180
190
200



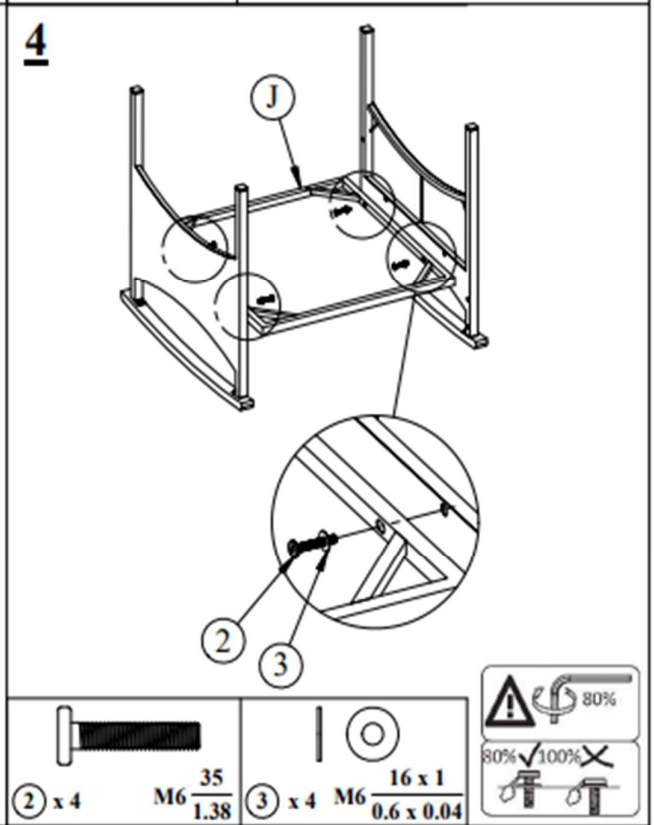
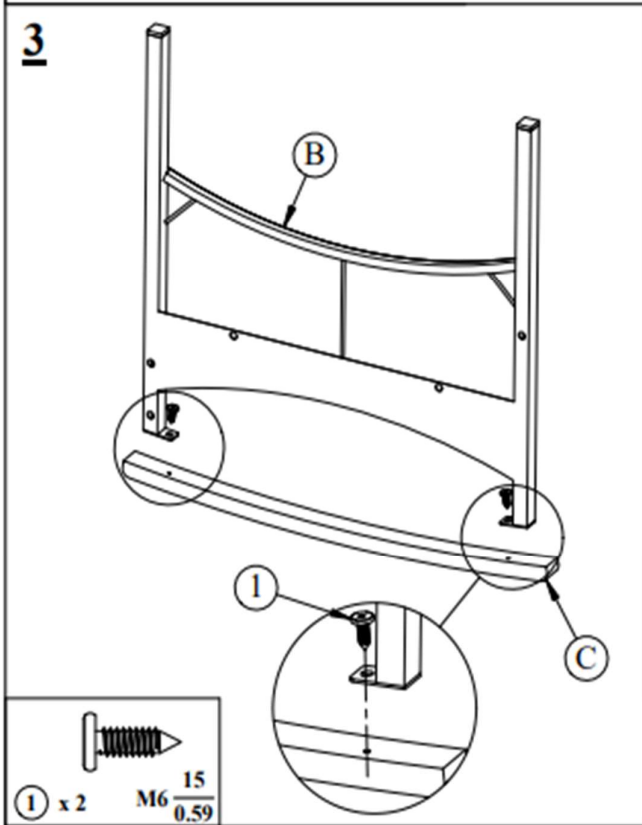
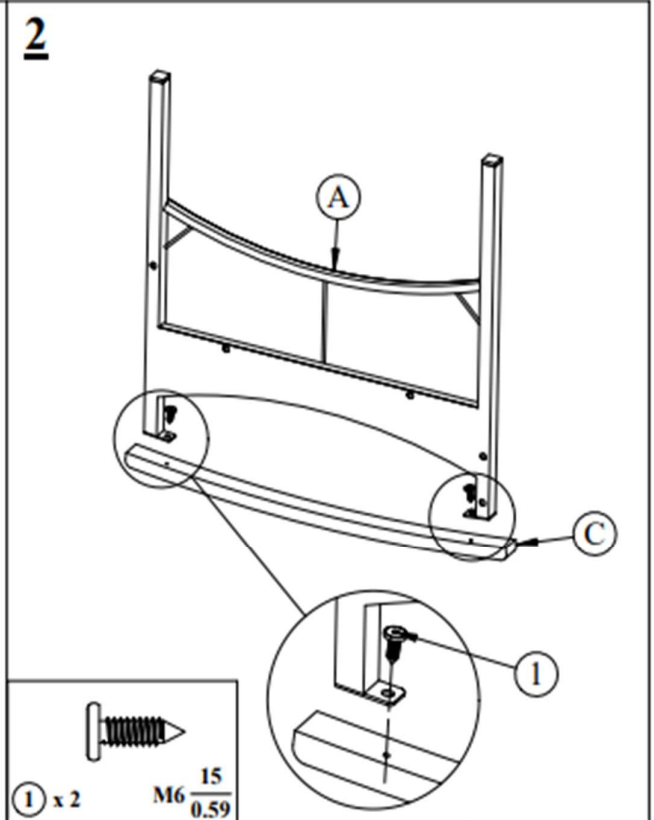
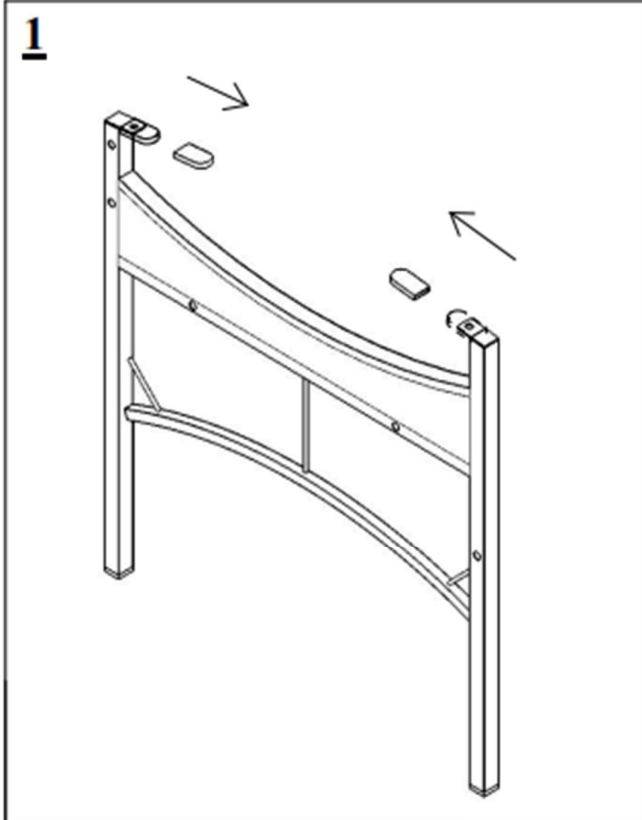
x 2



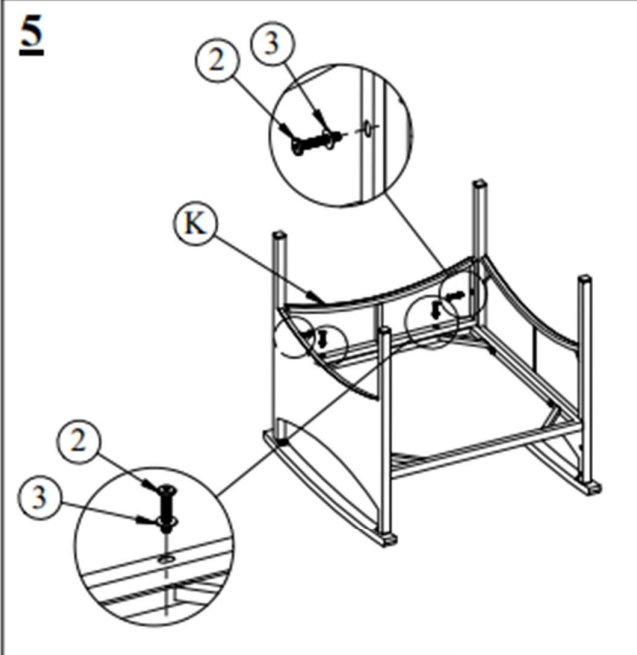
954162




 bonprix.

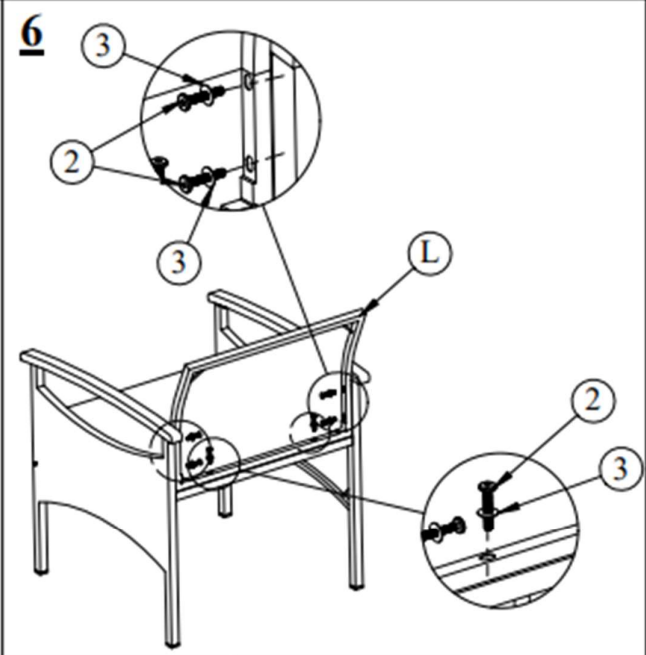
0
10
20
30
40
50
60
70
80
90
100
110
120
130
140
150
160
170
180
190
200






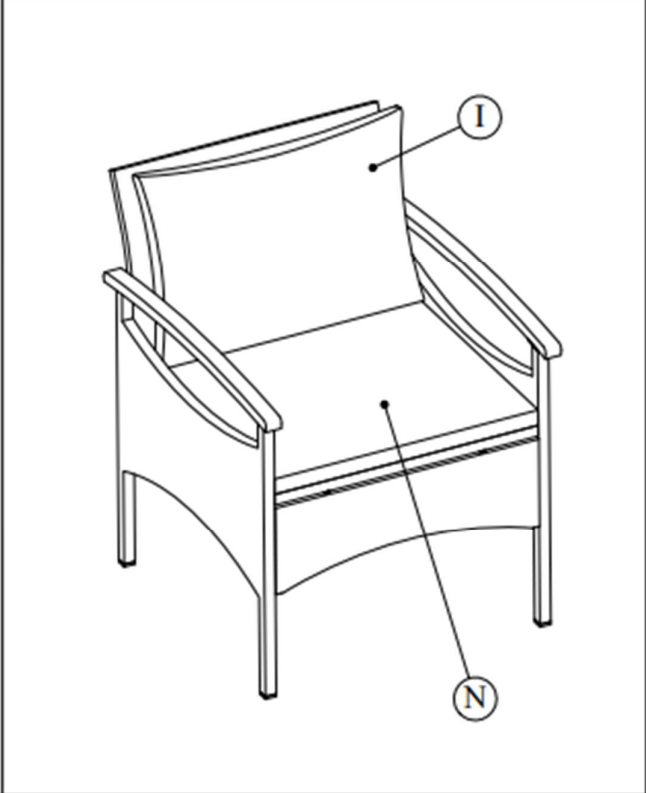
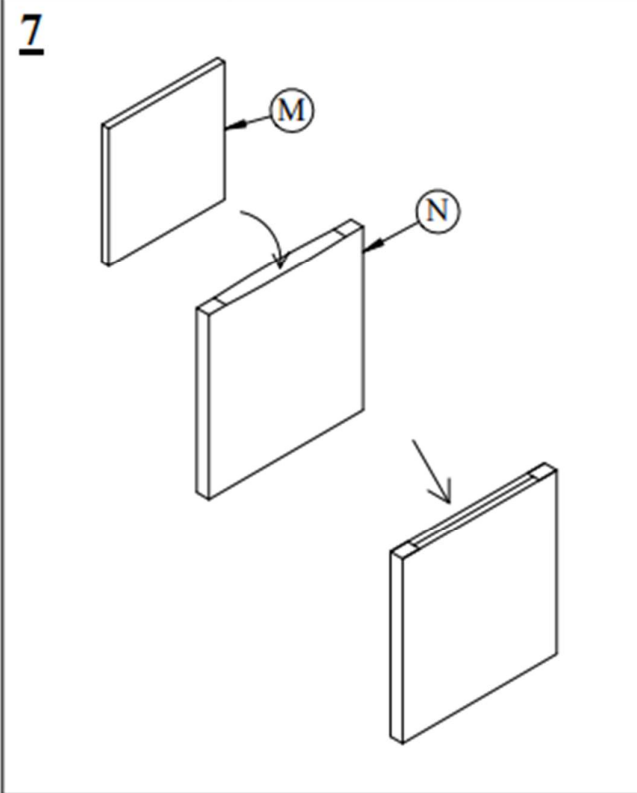
0
10
20
30
40
50
60
70
80
90
100
110
120
130
140
150
160
170
180
190
200



		
② x 4 M6 $\frac{35}{1.38}$	③ x 4 M6 $\frac{16 \times 1}{0.6 \times 0.04}$	80% ✓ 100% ✗



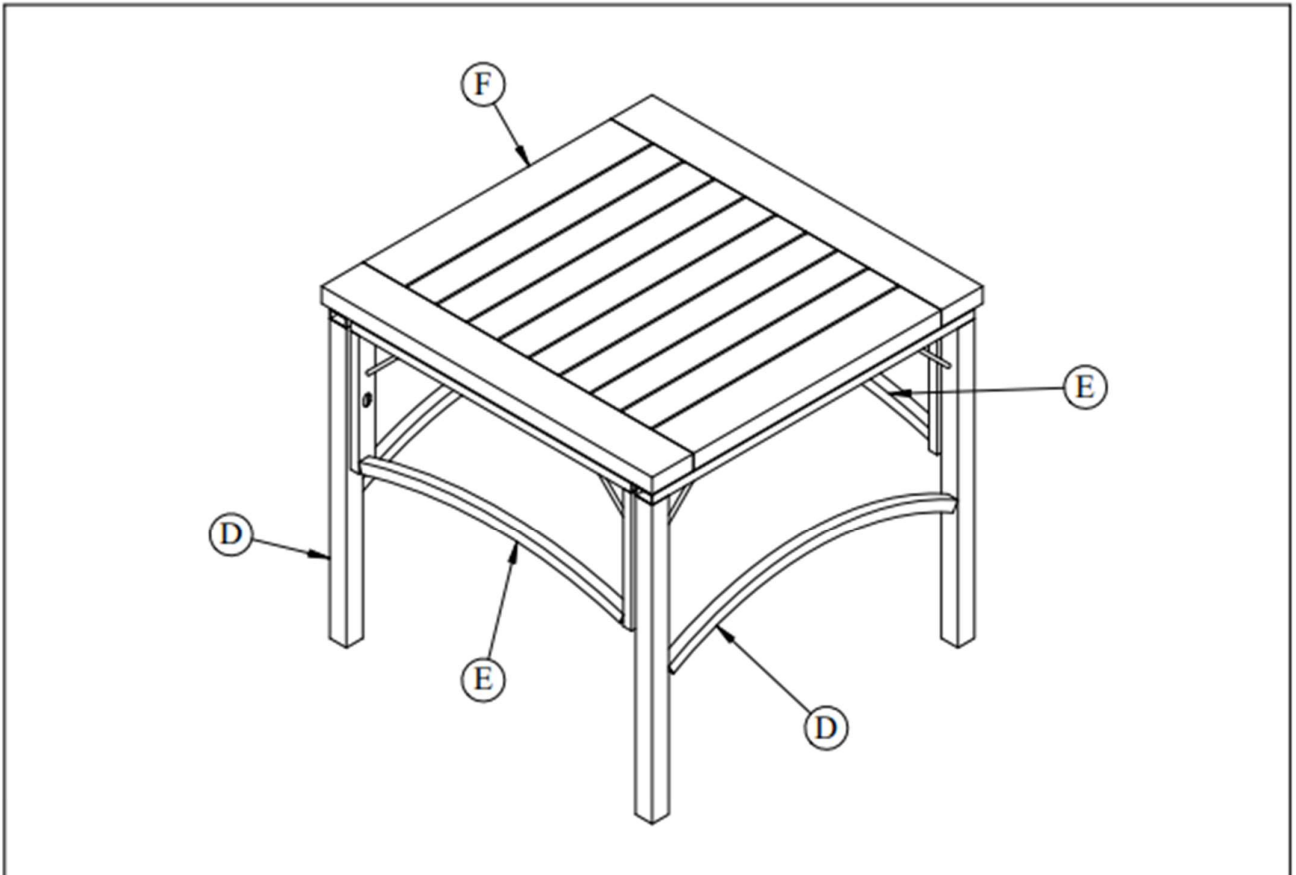
		
② x 6 M6 $\frac{35}{1.38}$	③ x 6 M6 $\frac{16 \times 1}{0.6 \times 0.04}$	100% ✓



954162



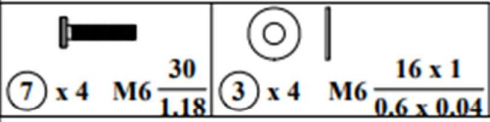
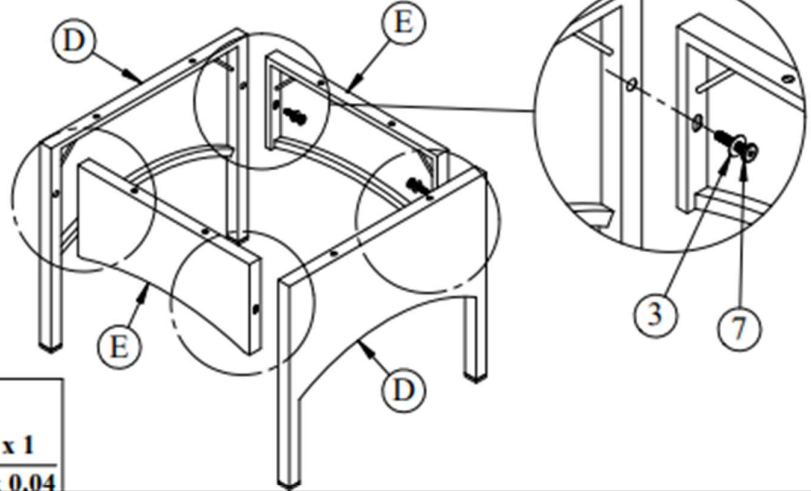
0
10
20
30
40
50
60
70
80
90
100
110
120
130
140
150
160
170
180
190
200



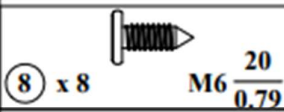
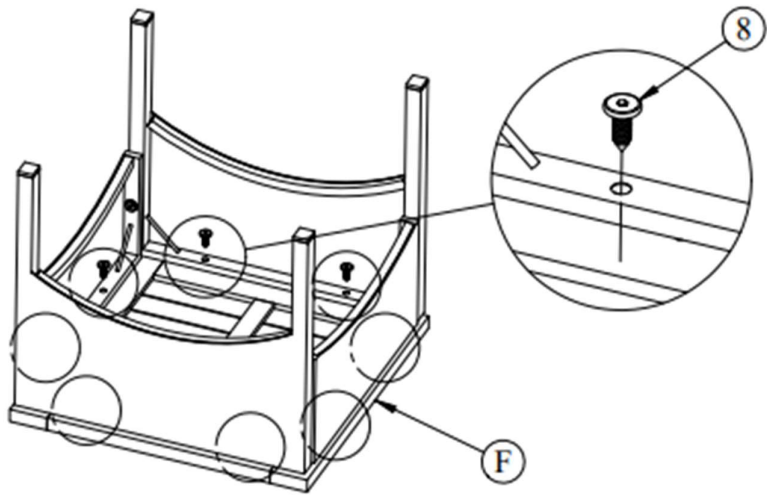
 D x 2	 E x 2	 F x 1	 3 x 4 M6 $\frac{16 \times 1}{0.6 \times 0.04}$
 7 x 4 M6 $\frac{30}{1.18}$	 8 x 8 M6 $\frac{20}{0.79}$	 4 x 1 M4	

0
10
20
30
40
50
60
70
80
90
100
110
120
130
140
150
160
170
180
190
200

1



2



Finish

