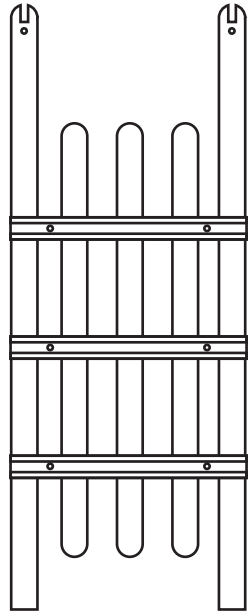
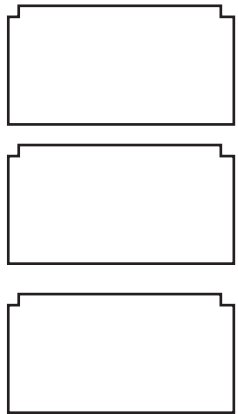


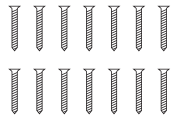
Ax2



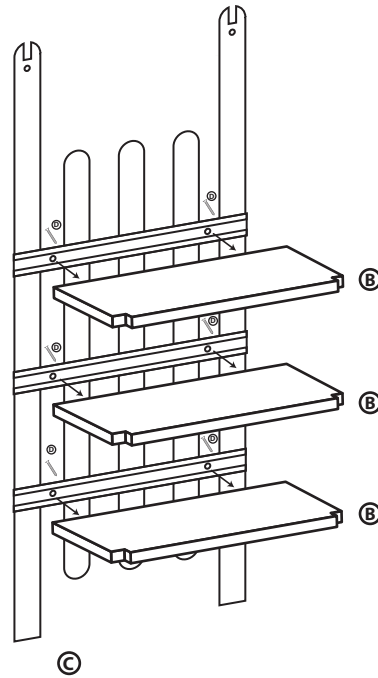
Cx1



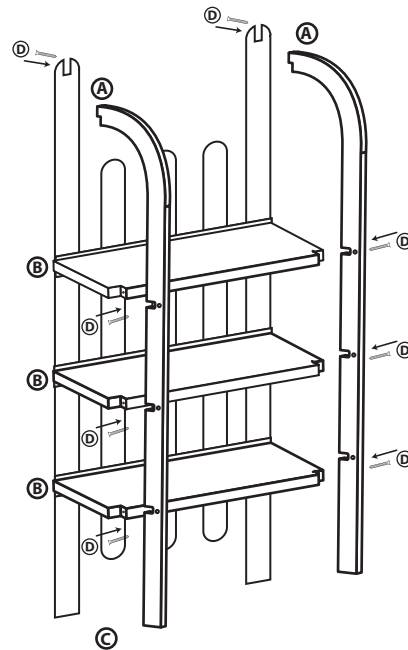
Bx3



Dx14



C



C

